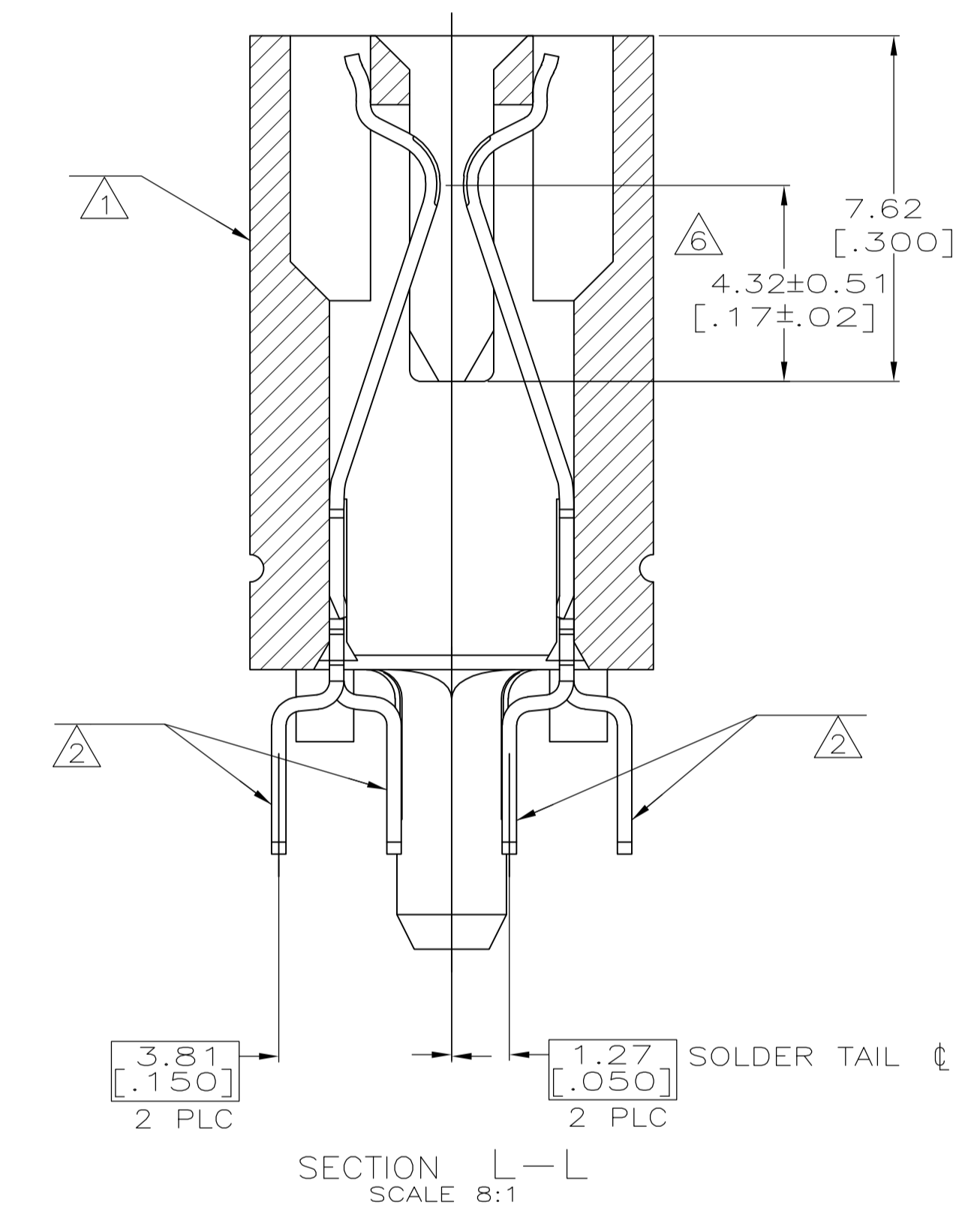
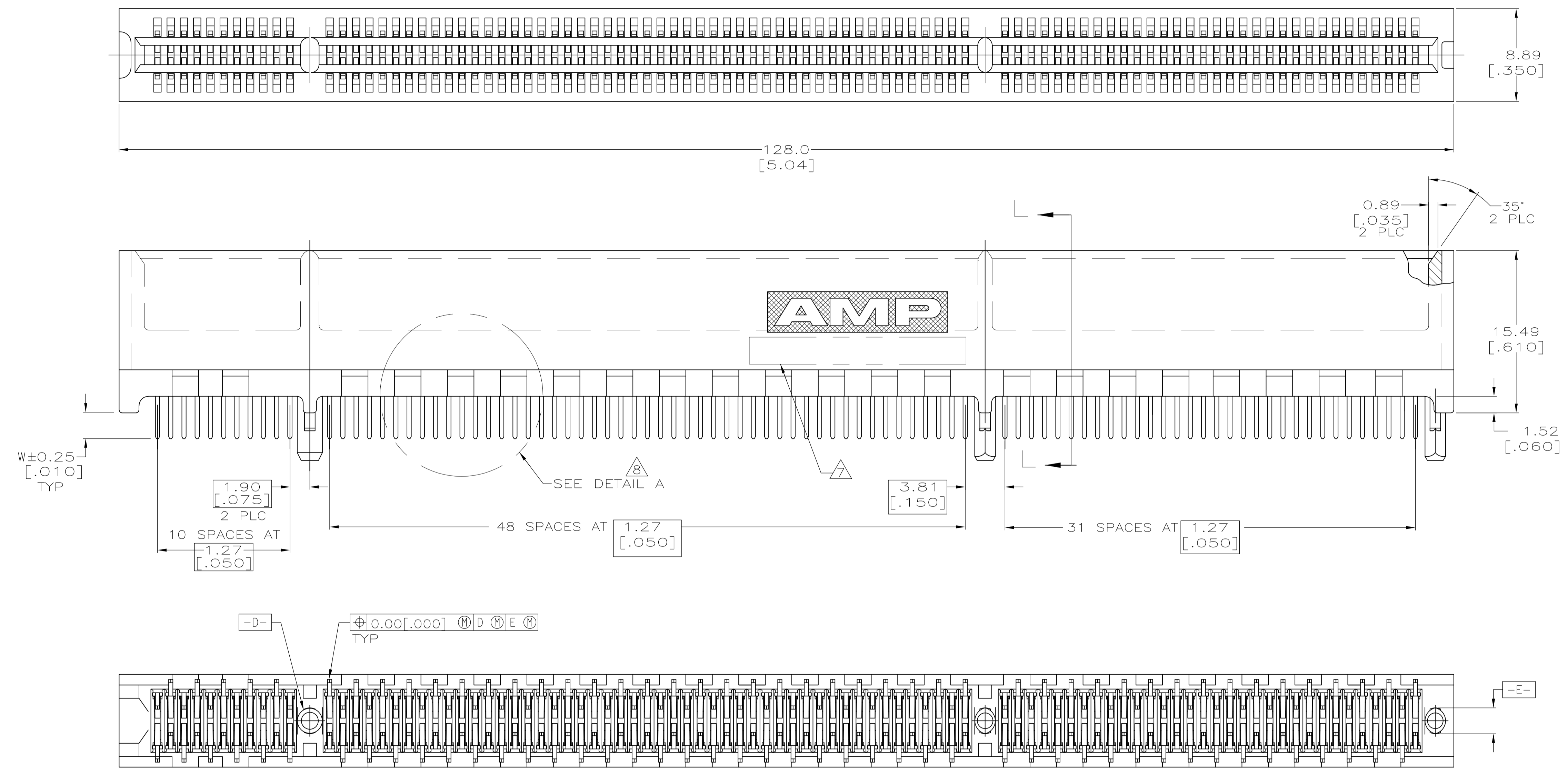
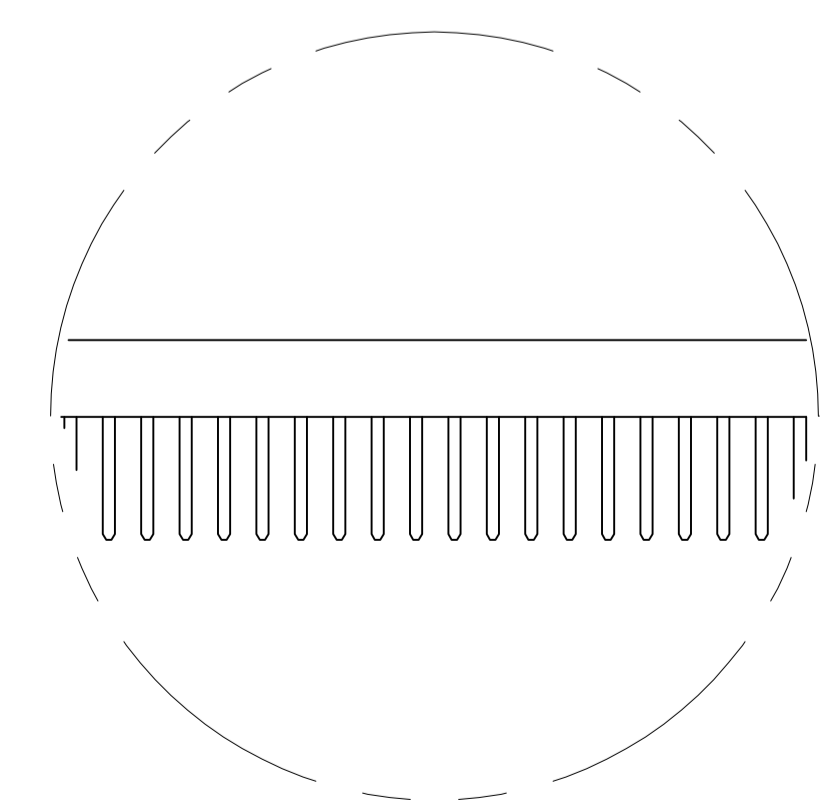


SEE SHEET 2 FOR NOTES



SEE SHEET 2 FOR HOLE PATTERN



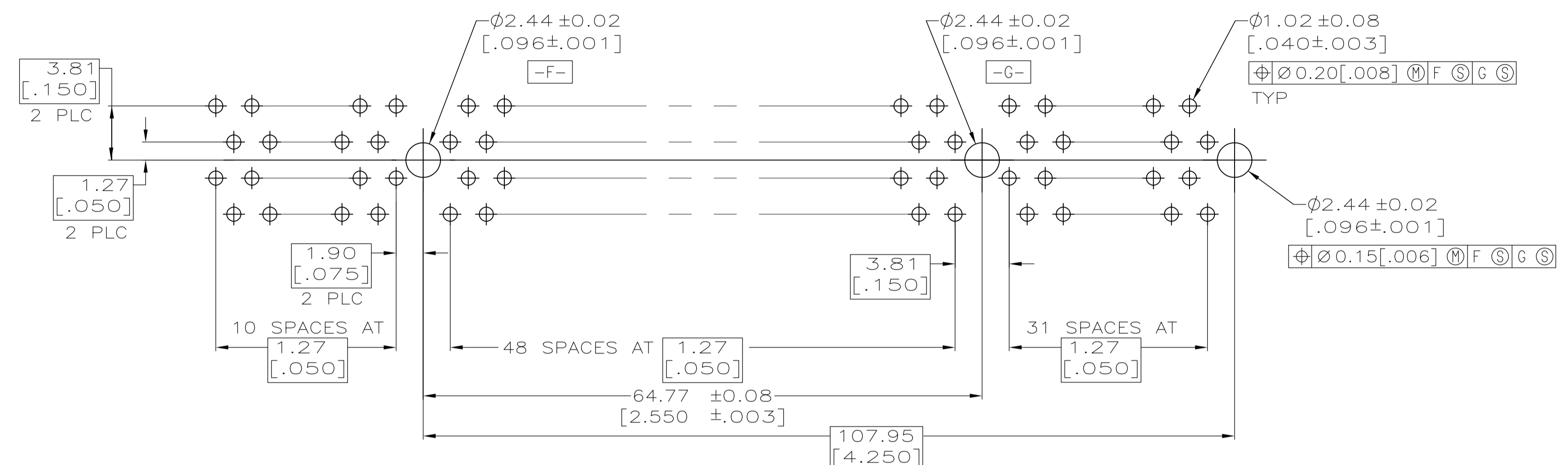
DETAIL A

3.56 [.140]	△	1-5145165-2
3.17 [.125]	△	5145165-8
2.54 [.100]	△	5145165-4
2.54 [.100]	△	5145165-2
2.54 [.100]	△	5145165-1
W	FINISH	PART NUMBER

THIS DRAWING IS A CONTROLLED DOCUMENT.

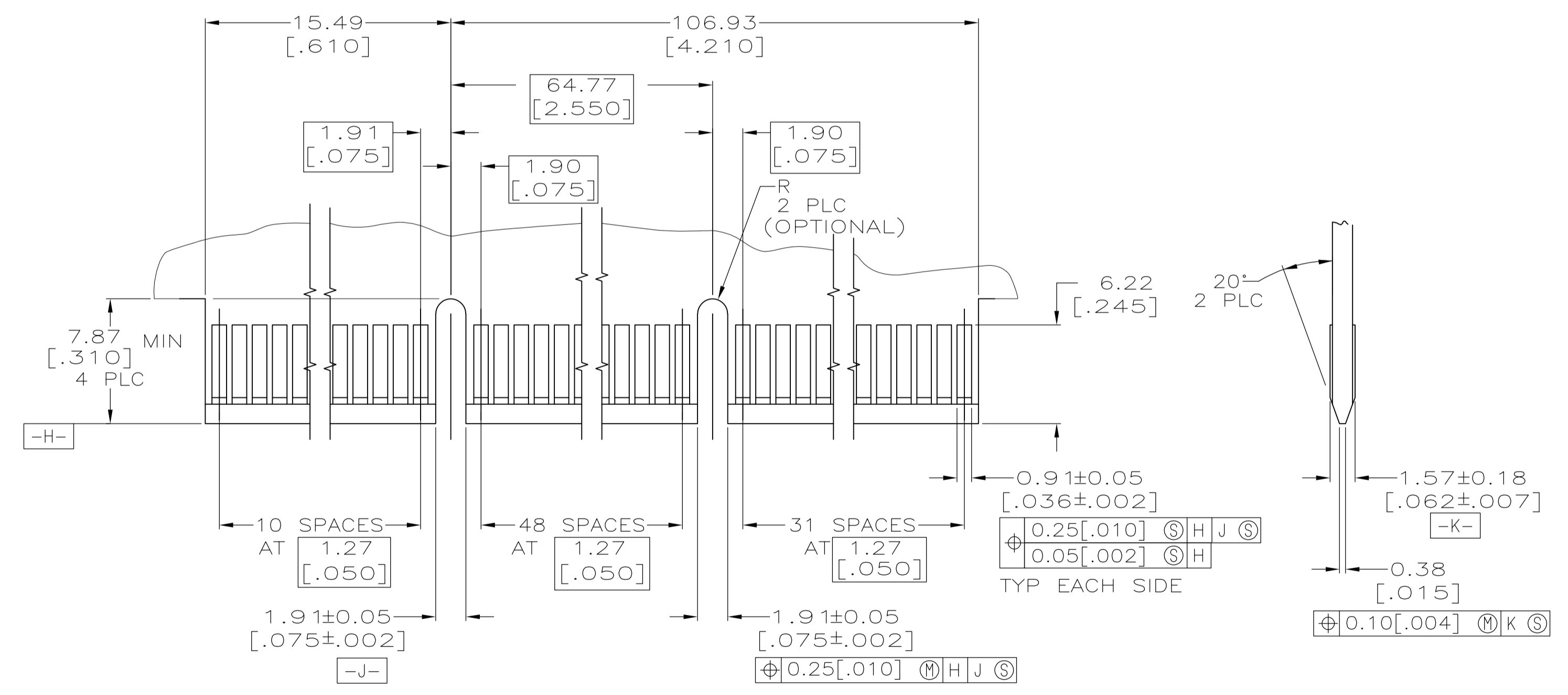
DIMENSIONS: mm TOLERANCES UNLESS OTHERWISE SPECIFIED: 0 PLC ± - 1 PLC ± - 2 PLC ± 0.25 [.01] 3 PLC ± 0.13 [.005] 4 PLC ± - ± α ANGLES ± - ± α	DWN: AL FRANTUM 04 FEB 05 CHK: AL FRANTUM 04 FEB 05 PRODUCT SPEC: 108-14034 APPLICATION SPEC: 114-26012 MATERIAL: FINISH:	NAME: AL FRANTUM SIZE: A1 CAGE CODE: 00779 DRAWING NO: 5145165 RESTRICTED TO: - SCALE: 4:1 SHEET: 1 OF 2 REV: C1
--	--	---

CUSTOMER DRAWING



RECOMMENDED CONNECTOR MOUNTING HOLE PATTERN
(CONNECTOR SIDE SHOWN)

- 1 HOUSING: HIGH TEMPERATURE THERMOPLASTIC.
COLOR - NATURAL
- 2 CONTACT: PHOSPHOR BRONZE.
- 3 CONTACT FINISH: 0.00127[.000050] MIN NICKEL ALL OVER.
GOLD FLASH OVER NICKEL IN CONTACT AREA.
0.00254[.000100] MIN MATTE TIN OVER NICKEL ON SOLDER TAILS.
- 4 CONTACT FINISH: 0.00127[.000050] MIN NICKEL ALL OVER.
0.00038[.000015] GOLD OVER NICKEL IN CONTACT AREA.
0.00254[.000100] MIN MATTE TIN OVER NICKEL ON SOLDER TAILS.
- 5 CONTACT FINISH: 0.00127[.000050] MIN NICKEL ALL OVER.
0.00076[.000030] GOLD OVER NICKEL IN CONTACT AREA.
0.00254[.000100] MIN MATTE TIN OVER NICKEL ON SOLDER TAILS.
- 6 DISTANCE FROM CONTACT POINT TO BOTTOM OF CARD SLOT.
- 7 AMP PART NUMBER, DATE CODE AND CSA LOGO MARKED IN APPROXIMATE LOCATION SHOWN.
- 8 CORED OR SOLID SIDE WALLS ARE AT DISCRETION OF AMP INCORPORATED.



RECOMMENDED MATING BOARD EDGE CONFIGURATION

THIS DRAWING IS A CONTROLLED DOCUMENT.		DIN AL FRANTUM 04 FEB 05		TE Connectivity	
DIMENSIONS: mm		TOLERANCES UNLESS OTHERWISE SPECIFIED:			
		0 PLC ± - 1 PLC ± - 2 PLC ± 0.25 [.01] 3 PLC ± 0.13 [.005] 4 PLC ± - ± ° ANGLES ± - ± °		NAME: CONNECTOR ASSEMBLY, 92 DUAL POSITION, .050 SERIES, STANDARD EDGE PRODUCT SPEC: 108-14034 APPLICATION SPEC: 114-26012	
MATERIAL: -		FINISH: -		SIZE: A1 CAGE CODE: 00779 DRAWING NO: 5145165 WEIGHT: - CUSTOMER DRAWING: -	
				SCALE: 4:1 SHEET: 2 OF 2 REV: C1	